

WIRING INSTRUCTIONS

TITLE

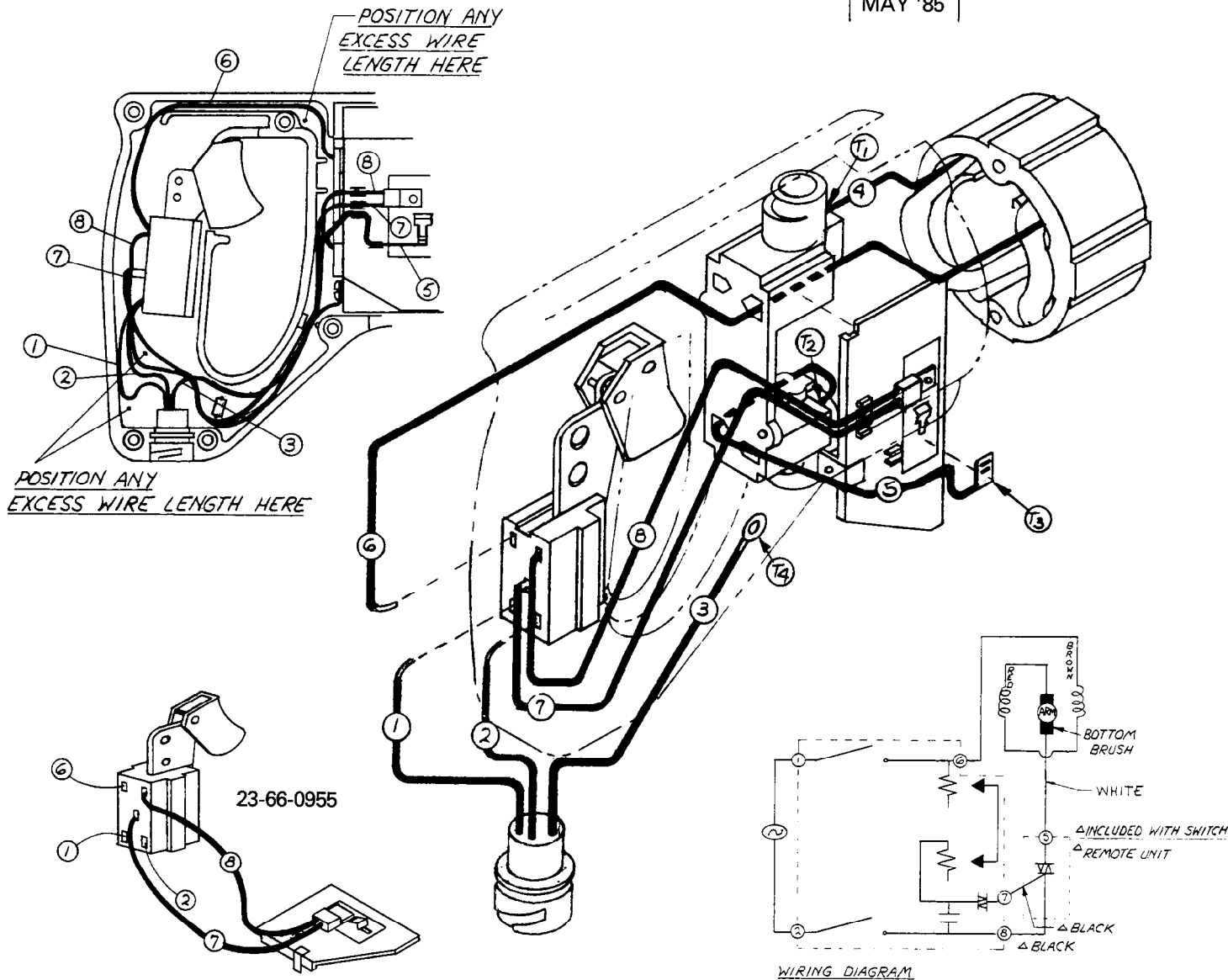
D-HANDLE SAWZALL®

MILWAUKEE ELECTRIC TOOL CORP.

13135 WEST LISBON RD. BROOKFIELD, WIS.

DATE
MAY '85

**BULLETIN
58-01-0249**



WIRING SPECIFICATIONS

Wire No.	Wire Color	Origin or Gauge	Length	Terminals, Connectors and 1 or 2 End Wire Preparation
1	WHITE	*	—	COMPONENT OF PIN HSG. ASSY.
2	WHITE	*	—	COMPONENT OF PIN HSG. ASSY.
3	GREEN	*	—	COMPONENT OF PIN HSG. ASSY.
4	RED	FIELD	2"	STRIP 1/4" FOR T1
5	WHITE	18	5"	STRIP 1/4" FOR T2/STRIP 3/16" FOR T3
6	BROWN	FIELD	9-1/2"	STRIP 3/8" AND TIN
7	BLACK	—	—	SUPPLIED WITH SWITCH
8	BLACK	—	—	SUPPLIED WITH SWITCH

NOTE:

All leads must be held to $\pm 1/8"$.
All field leads to be measured from and perpendicular to laminations.
All lead lengths are before stripping.

TERMINAL DESCRIPTION

Code	Part No.	Qty.
T1	22-44-0090	1
T2	22-44-0090	1
T3	23-74-0615	1
T4	23-74-0896	1

CONNECTOR DESCRIPTION

Code	Part No.	Qty.