

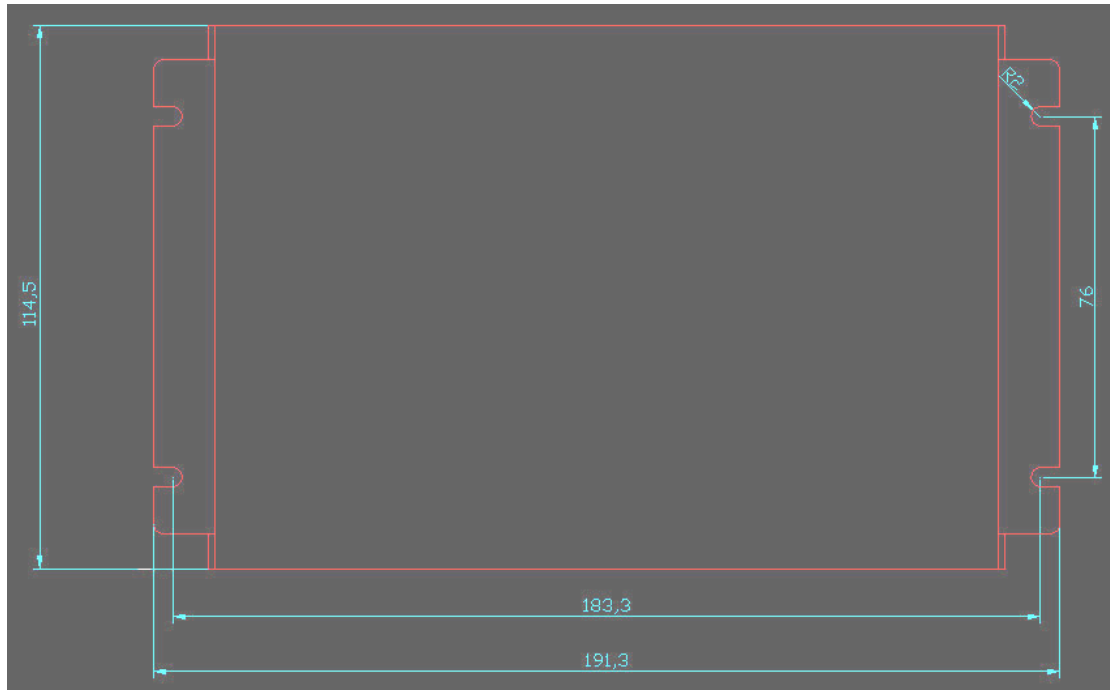
MPC8530S Hardware Manual

V1.0

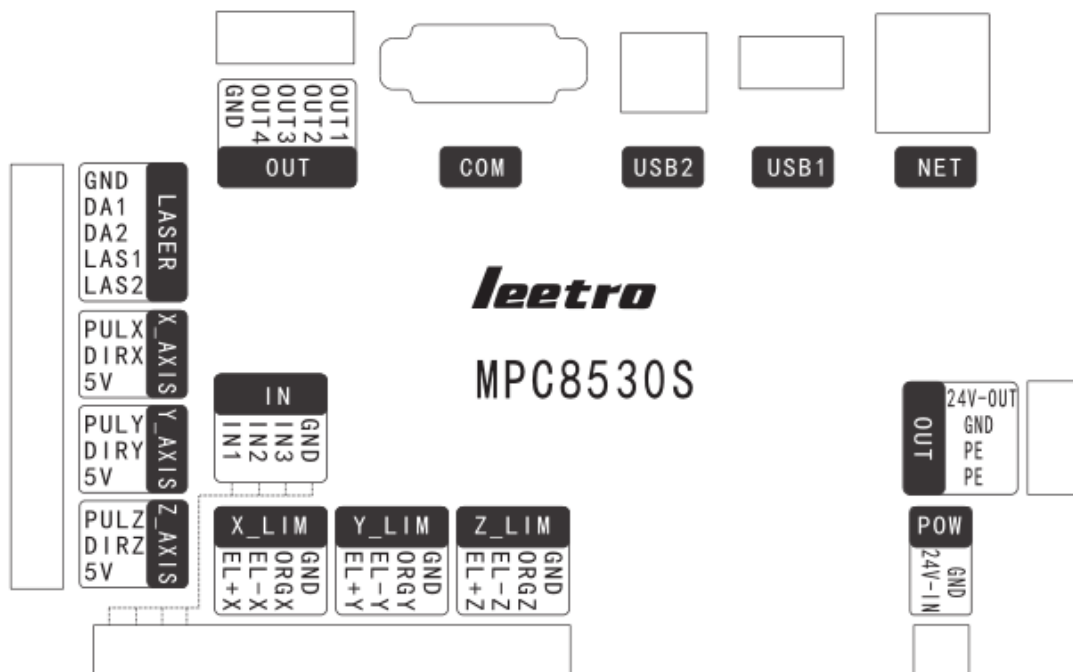
Feb 2017



1、 Mounting Size



2、 Interfaces



3、 Pin Definitions

Group	Pin	Definition
-------	-----	------------

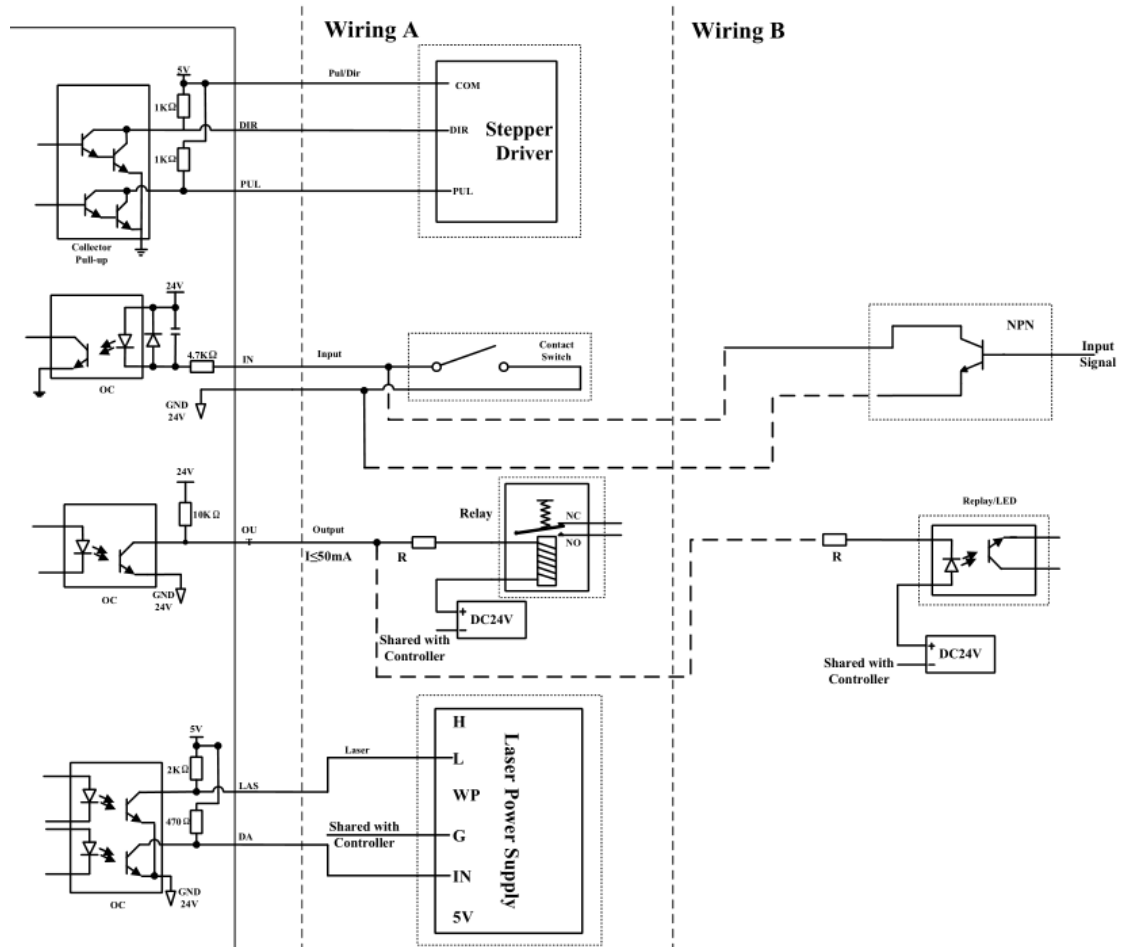
POW	24V-IN	Power Supply, DC 24V+ (Input)
	GND	Power Supply, DC GND (Input)
X_AXIS	PULX	X-axis Pulse
	DIRX	X-axis Direction
	5V	Power Supply, DC 5V+
Y_AXIS	PULY	Y-axis Pulse
	DIRY	Y-axis Direction
	5V	Power Supply, DC 5V+
Z_AXIS	PULZ	Z-axis Pulse
	DIRZ	Z-axis Direction
	5V	Power Supply, DC 5V+
LASER	GND	Laser GND
	DA1	Laser Power Control ONE
	DA2	Laser Power Control TWO
	LAS1	Laser On/Off Control ONE
	LAS2	Laser On/Off Control TWO
X_LIM	GND	Limit GND (24V)
	ORGX	X-axis Original (Home)
	EL-X	X-axis Limit-
	EL+X	X-axis Limit+
Y_LIM	GND	Limit GND (24V)
	ORGY	Y-axis Original (Home)
	EL-Y	Y-axis Limit-
	EL+Y	Y-axis Limit+
Z_LIM	GND	Limit GND (24V)
	ORGZ	Z-axis Original (Home)
	EL-Z	Z-axis Limit-
	EL+Z	Z-axis Limit+
IN	IN1	Signal Input ONE, Pedal
	IN2	Signal Input TWO, Uncapping Protection
	IN3	Signal Input THREE, Water Chilling
	GND	Input GND (DC 24V)
OUT	OUT1	Signal Output ONE, Air-blow
	OUT2	Signal Output TWO, WORK END
	OUT3	Signal Output THREE
	OUT4	Signal Output FOUR
	GND	GND (DC 24V)
OUT	24V-OUT	Power Supply, 24V+ (Output)
	GND	Power Supply, GND (Output)
	PE	PE ,Earth Ground;
	PE	PE, Earth Ground;
COM		Communication Port for Operation Panel
USB1		USB Master, to Flash Memory Disk

USB2		USB Slave, to the PC
NET		LAN port, to the PC/Router

4、Circuit Diagram

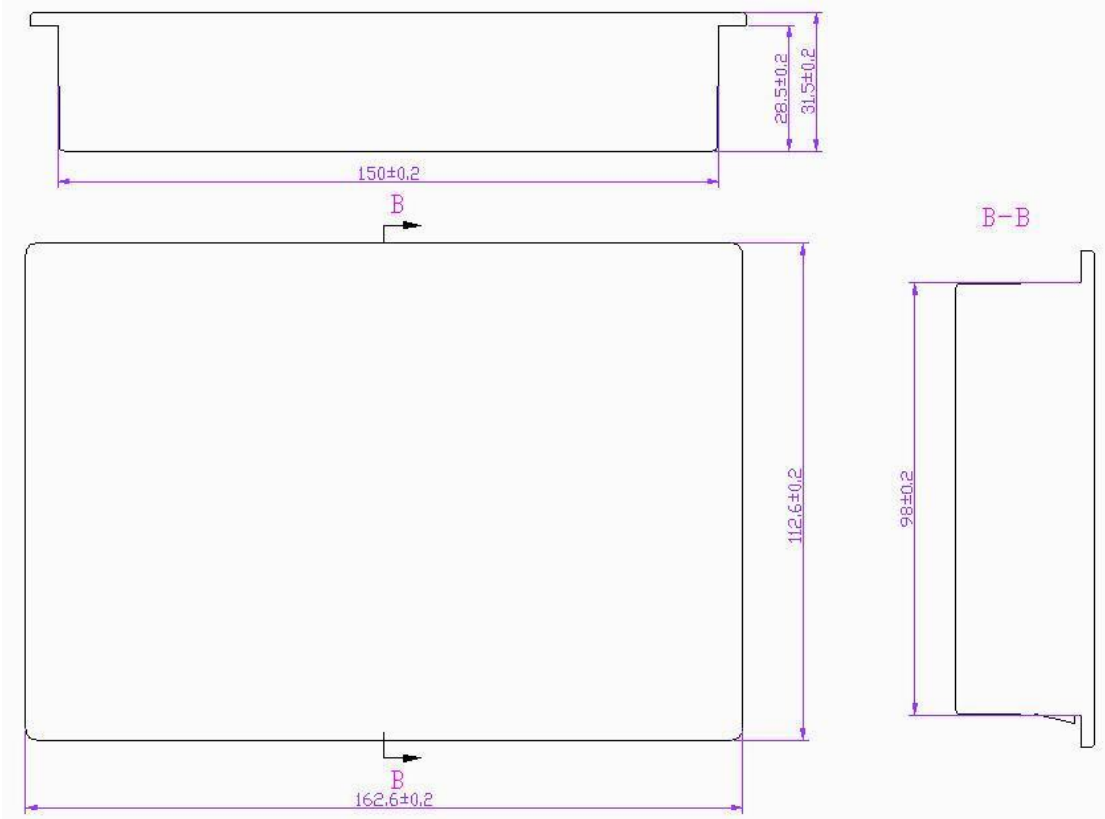
Make sure PE with the Earth Ground

24V-OUT is the output port. It is not for input!!!



PAD05S-C/E Installation dimension drawing

Installation dimension drawing:



installation diagram:

